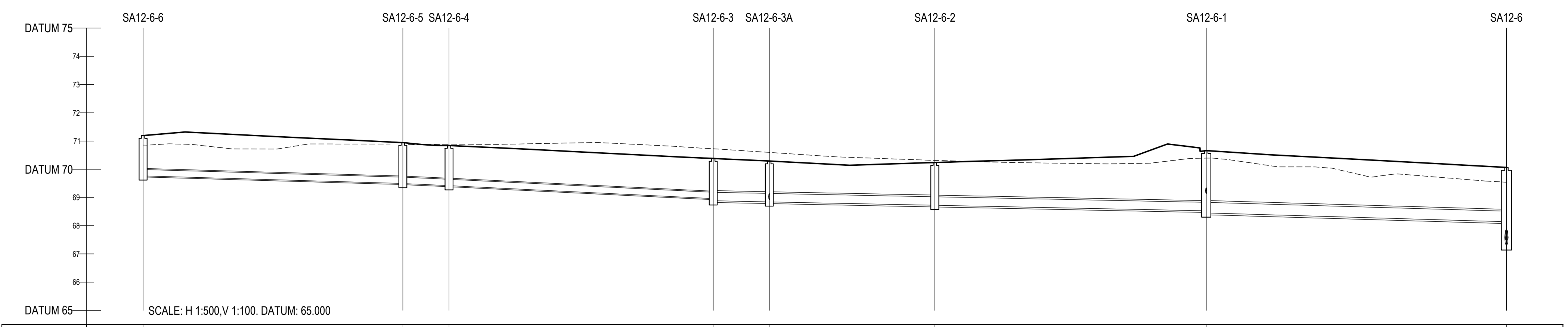


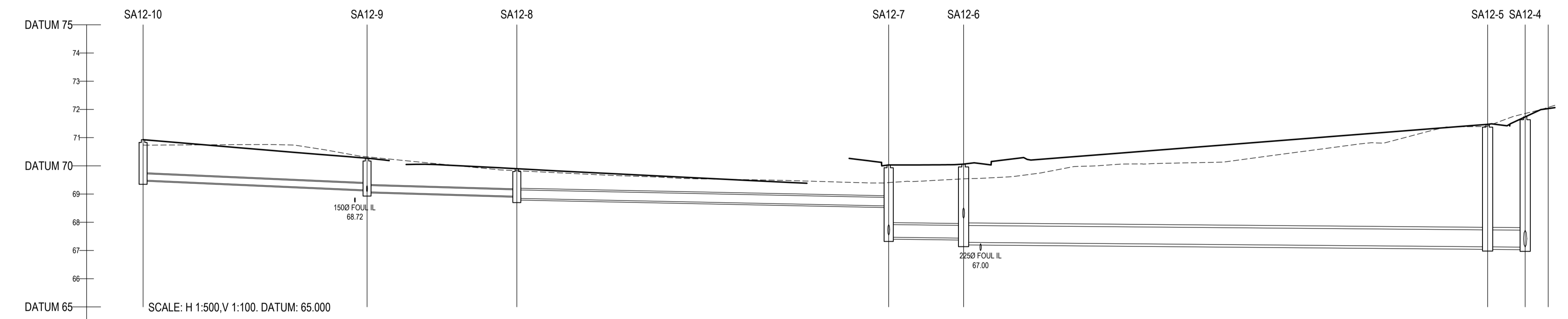
© COPYRIGHT OF THIS DRAWING IS RESERVED BY DBFL CONSULTING ENGINEERS. NO PART SHALL BE REPRODUCED OR TRANSMITTED WITHOUT THEIR WRITTEN PERMISSION.
 NO CHANGES OF WHATSOEVER NATURE ARE TO BE MADE TO ANY DETAILS SET OUT OR CONTAINED IN ANY DBFL SPECIFICATIONS OR DRAWINGS UNLESS THE EXPRESS CONSENT HAS BEEN OBTAINED IN ADVANCE, IN WRITING, FROM DBFL.

- NOTES:
- ALL DRAWINGS TO BE CHECKED BY CONTRACTOR ON SITE AND ENGINEER INFORMED OF DISCREPANCIES BEFORE WORK COMMENCES
 - ALL LEVELS ARE IN METRES AND ARE RELATED TO ORDINANCE DATUM
 - CONTRACTOR SHALL SATISFY HIMSELF AS TO THE ACCURACY OF PAVEMENT LEVELS ON SITE PRIOR TO COMMENCEMENT OF WORKS ON SITE
 - ALL WORKS TO BE CONSTRUCTED IN ACCORDANCE WITH THE NRA SPECIFICATION FOR ROAD WORKS UNLESS NOTED OTHERWISE
 - THIS DRAWING IS FOR PLANNING PURPOSES ONLY
 - MANHOLE COVER LEVELS ARE TO CONFORM WITH FINISHED ROAD AND PATH LEVELS
 - WHERE COVER TO PIPE IS LESS THAN 1200mm (ROAD/PATH/VERGE) OR 900mm (OPEN SPACE) SURROUND PIPE IN MINIMUM 150mm CONCRETE

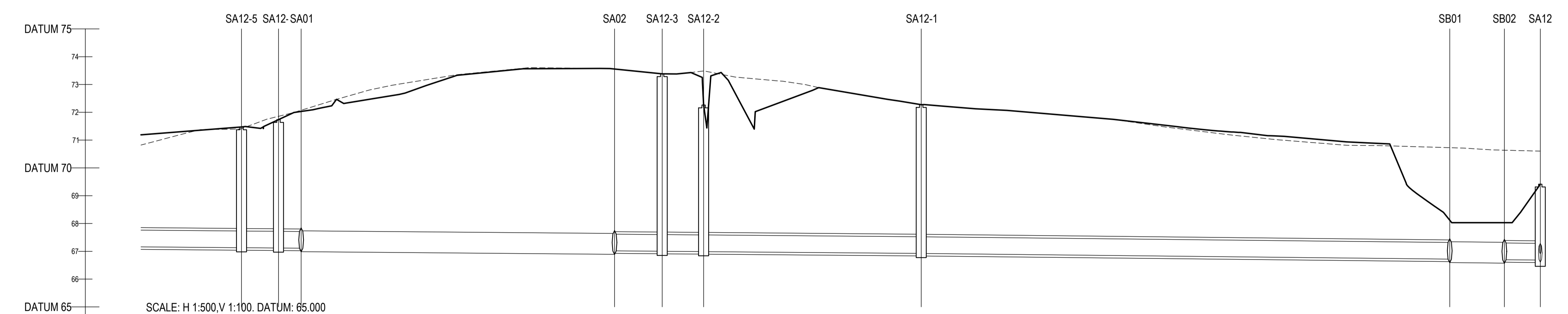


COVER LEVEL	71.193	70.946	70.843	70.383	70.291	70.237	70.960	70.082
INVERT LEVEL	69.706	69.494	69.418	68.908	68.843	68.723	68.527	68.119
DEPTH (m)	1.426	1.452	1.425	1.500	1.448	1.514	2.208	2.775
DISTANCE (m)		46.00	8.18	46.78	9.93	29.32	48.05	53.16
PIPE SLOPE		1:170	1:108	1:102	1:245	1:245	1:245	1:170
PIPE SIZE		225mm	225mm	225mm	300mm	300mm	300mm	375mm

KEY
 - - - - - EXISTING GROUND PROFILE
 _____ PROPOSED GROUND PROFILE



COVER LEVEL	70.928	70.271	69.899	70.032	70.082	71.472	71.196
INVERT LEVEL	69.495	69.078	68.922	68.578	67.437	67.130	67.005
DEPTH (m)	1.433	1.193	1.022	2.592	2.775	4.342	4.617
DISTANCE (m)		39.66	26.53	65.85	13.26	92.80	6.65
PIPE SLOPE		1:113	1:170	1:245	1:405	1:590	???
PIPE SIZE		225mm	225mm	300mm	450mm	600mm	???



COVER LEVEL	71.472	71.726	71.842	71.746	71.384	71.260	72.274	67.449	67.428	68.415
INVERT LEVEL	67.287	67.005	67.005	67.006 (7)	67.002	67.000	66.999	66.993	66.999 (6)	66.984
DEPTH (m)	4.342	4.617	4.617	7.77	6.382	5.271	5.332	7.77	7.77	2.808
DISTANCE (m)	92.80	6.65	4.07	56.34	8.57	7.45	39.13	95.01	9.82	6.46
PIPE SLOPE	1:590	1:590	1:590	1:590	1:590	1:590	1:590	1:467	1:467	1:467
PIPE SIZE	600mm	600mm	600mm	1250mm	600mm	600mm	600mm	600mm	1250mm	600mm

rev	date	description	GMC	BCM
P01	01-09-22	STAGE 3 SHD PLANNING		
rev	date	description	by	chkd.
		A - Approved		
		B - Approved with comments		
		C - Do not use		

S2 - INFORMATION PLANNING
 DBFL Consulting Engineers
 Civil, Structural & Transportation Engineering
 www.dbfl.ie

DUBLIN OFFICE: Ormond House, Upper Ormond Quay, Dublin 7, D07 W704
 PHONE: +353 1 450 4000
 CORK OFFICE: Phoenix House, Monahan Road, Cork, T12 H1XV
 PHONE: +353 (0) 21 2054538
 WATERFORD OFFICE: Suite 10 The Arkun, Maritime Gate, Canada Street, Waterford, X91 W028
 PHONE: +353 51 309 500

project ref.
ASHBOURNE SHD
 drawing title
LONGITUDINAL SECTIONS THROUGH SURFACE WATER SHEET 1
 client
ARNUB LTD. & ASPECT HOMES (ADC) LTD
 designed by
 BCM
 author
 GMC
 scale
 H 1:500, V 1:100
 sheet size
 A1
 drawing no.
 200059-DBFL-SW-SP-DR-C-3301
 revision
 P01